

DHI-ASGG120T

Dahua Tripod Turnstile



- 304 stainless steel cabinet with a thickness of 0.8 mm.
- Automatically opens the barrier when the device is powered off.
- MCBF (Mean Cycles between Failures) is no less than 3 million times.
- Mechanical anti-tailing.
- Automatically closes barriers when no one enters the turnstile after the specified time.
- Supports configuring the passing time for people.
- Restores the system settings to their default values.
- Memorizes passing data for entry and exit.
- Features 9 modes for entry and exit including controlled, prohibited, and free. Combine these modes for more options.
- Supports being connected to multiple types of modules such as face, fingerprint and QR code. Combine these modules for more options.

Scene

It is suitable for use in factories, construction sites, scenic spots and more.

Technical Specification

System	
Main Processor	Embedded Processor
Basic	
Product Type	Tripod turnstile
Casing Material	SUS304
Function	
Online Update	Yes
Performance	
MCBF	3 million
Passing Speed	20–30 people/min
Cabinet Thickness	0.8 mm (0.03")
Top Cover Thickness	1.2 mm (0.05")
Barrier Material	Stainless steel
Number of Face Module Installation Holes	0
Number of Access Controllers	1

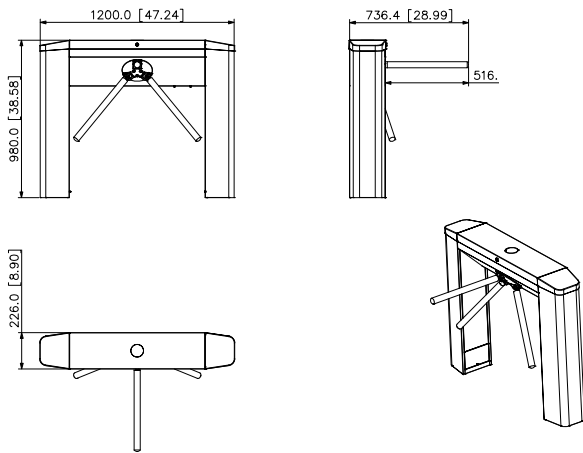
General

Power Supply	100–240 V AC, 1.5A
Vandal-proof Rating	IK06, IK08
Protection	IPX4
Power Consumption	≤10 W (standby), ≤40 W (working)
Product Dimensions	1,200 mm × 220 mm × 980 mm (47.24" × 8.66" × 38.58") (L × W × H)
Packaging Dimensions	1,288 mm × 361 mm × 1,055 mm (50.71" × 14.21" × 41.54") (L × W × H)
Gross Weight	55.0±1.0kg
Operating Temperature	–25 °C to +70 °C (–13 °F to +158 °F)
Operating Humidity	5%–90% (RH), non-condensing
Operating Environment	Indoor; Outdoor
Storage Temperature	–25 °C to +70 °C (–13 °F to +158 °F)
Storage Humidity	5%–90% (RH), non-condensing

Ordering Information

Type	Model	Description
Tripod Turnstile	DHI-ASGG120T	Tripod turnstile, with two card reader boards

Dimensions (mm[inch])



Application

