



TC-D332 Spec:MON/P/V2.0

32-inch Plastic LED Monitor



KEY FEATURES

- Size: 32 inches
- Resolution: 1920*1080
- Ratio: 16:9
- Backlight: LED
- Brightness: $\geq 250\text{cd/m}^2$
- Field of view: 178°
- Interface: HDMI*1, VGA*1
- Material: plastic
- Standard speaker, HDMI cable, base or bracket
- MTBF ≥ 30000 hours

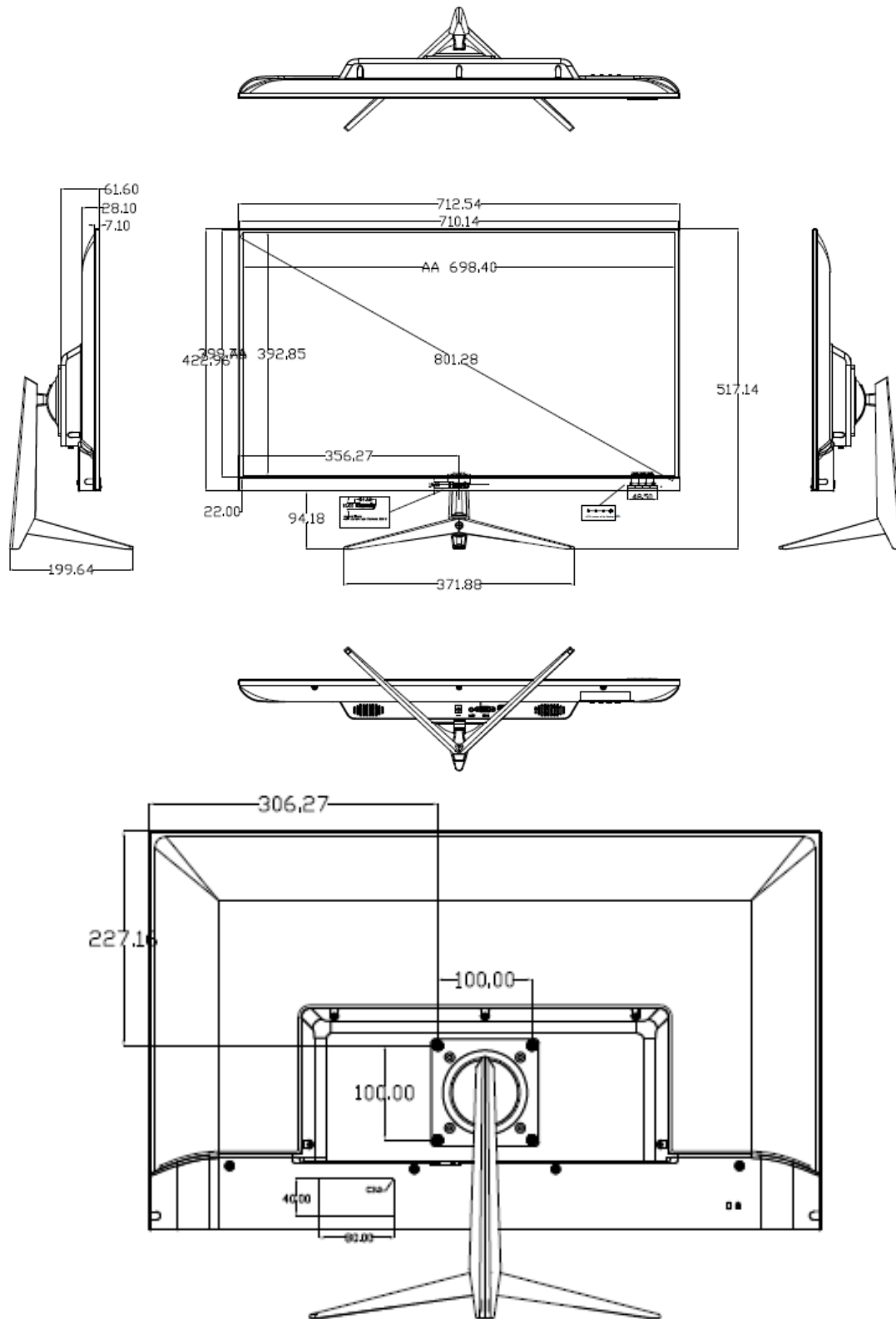


SPECIFICATIONS

Panel type	VA
Panel size	31.5 "
Aspect ratio	16:9
Gauge(mm)	0.36375*0.36375
Resolution	1920×1080
Luminance(cd/m²)	250
Contrast	4000:1
Response time(ms)	8
Refresh rate	60HZ
Colouration	72%NTSC
Display size(mm)	698.4(H)×392.85(V)
Viewpoint(H/V)	178 °(H) / 178 °(V)
Video input	HDMI*1, VGA*1
Video output	N/A
Audio input	Yes
Audio output	N/A
Control interface	N/A
Speaker	Yes
OSD(Language)	12 countries (English、Deutsch、Francaise、Español、Italiano、Nederlands、中文、日本、한국어、Dansk、Português、Turkish)
Wall mounting holes (mm)	100*100
Input Voltage	DC 12V,3A
Typical power consumption(W)	≤36
Standby power consumption(W)	≤0.5
Operating temperature	0°C ~ 40°C RH Non-Condensing
Operating humidity	10% ~ 90% RH Non-Condensing
Storage humidity	5% ~ 90%
Bare metal size(mm)	712.54(W)×422.96(H)×63.6(D)
Package Size(mm)	784(W)×512(H)×144(D)
Net weight(Kg)	4.1
Gross weight(Kg)	6.0

Tiandy

DIMENSIONS (Unit: mm)



Tiandy Technologies Co.,Ltd



Tiandy Overseas



Tiandy



@tiandyofficial

Tiandy Technologies Co.,Ltd.

Email: sales@tiandy.com

Tel: +86-22-58596065

Website: en.tiandy.com

Fax: +86-22-58596048